

SmartLase® C150 & C350 laser printers - Specifications

Model name	SmartLase® C150 / C150S/ C350 / C350 L / C350 S – 10W or 30 W sealed CO ₂ laser printers
Production line speed (max.)	250 m/min.*
Marking speed (max.)	2,100 characters/second 150,000* products/hour
Print features	<ul style="list-style-type: none"> Number of text lines: limited only by character height and allowable print area Character height: from 1 to 500mm Choice of characters: Chinese, Latin and Unicode fonts Wide selection of languages: English, French, Spanish, German, Italian, Portuguese, Brazilian, Chinese, Korean, Japanese, Russian, Arabic, etc.
Coding area & focal distance (mm)	<ul style="list-style-type: none"> Standard lens focal distance (FD): 140mm; print area: 100 x 100mm Pointing diode function standard offering on all laser heads
Operations	<ul style="list-style-type: none"> 180mm/7" WYSIWYG color touch screen or web-based user interface, full CoLOS® support Message storage capacity of 500 jobs Upload and download of messages via USB Flash Drive Quick connect/disconnect of laser head and accessories (photocell, encoder, alarm) Standard I/O: Ethernet interface, USB, encoder, product sensor, extractor controls, status beacon, remote interlocks (dual channels)
Other characteristics	<ul style="list-style-type: none"> 3 separate modules: controller, laser head and optional user interface Controller weight: 10.2 kg - User interface weight: 2.1 kg - Head weight: 18.5 kg Dust/humidity protection: IP55 or IP65 laser head, IP54 controller and IP54 user interface Controller: stainless steel - Head: stainless steel and protected coated materials - User interface: protected coated materials Operating temperature range: 5 to 45° C - Humidity: 5 to 90% non-condensing Interconnecting cable length: controller to laser head - 6 m standard; optional: 3m, 9m and 9m (heavy duty) Electrical power supply: 100-240 V 50/60 Hz auto select - Power consumption: C350 7 A; 700 VA; C150 3 A; 300 VA
Options	<ul style="list-style-type: none"> Optional lens focal distance and print area (mm): FD80: 55x55; FD100: 70 x 70; FD175: 120 x 120; FD220: 155 x 155; FD290: 205 x 205 Remote user interface IP65 laser head (no plant air using FS400 cooler.) Optional IP65 Adapter kit available for plant air solution Optional IP65 Controller kit Optional 90° printhead cable adaptor Optional interconnecting cable length. 3m, 9m and 9m Heavy Duty Industrial interface option board: RS-232/422 connectivity, 20 configurable operator I/O (12 inputs / 8 outputs), 2 voltage free relays, USB (optional scanners)
Accessories	<ul style="list-style-type: none"> Dust and gas extractor, stand (controller, laser head and user interface), guarding tunnel, photocell, encoder, alarm beacon
PC software	<ul style="list-style-type: none"> Web user interface provided as standard CoLOS® V6 full support includes matrix layout design, promotional coding, OPC UA, PackML V3.0
Remote services	<ul style="list-style-type: none"> Miva™, intelligent self-support solution. Live helpdesk support with remote video capabilities

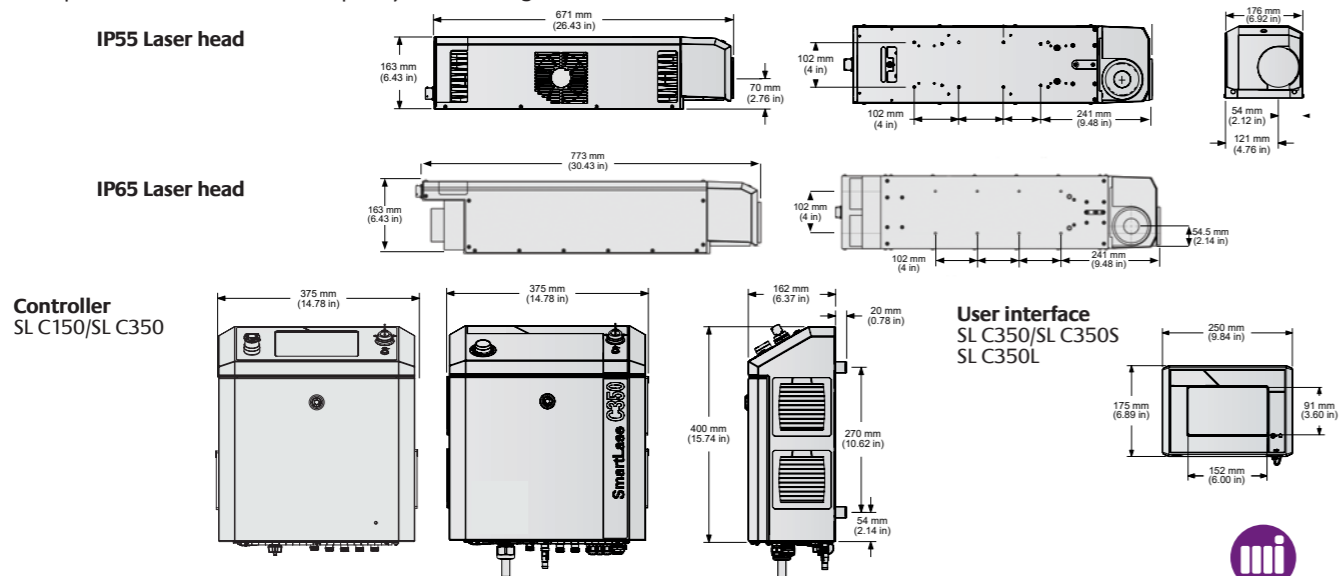
* Depends on the size and the complexity of the message as well as the nature of the surface marked



30-watt CO₂ laser printer

SmartLase® C350

Power up your packaging line





Power up your packaging line

SmartLase® C series laser printer family offers best-in-class laser performance as standard across the range, with solutions for many applications:

Food, confectionery, dairy, beverage, cosmetics, pharmaceutical and industrial.

Our **SmartLase®** range of lasers are supported by our deep familiarity with diverse applications and our ongoing innovation ensures our solutions remain best-in-class. Fast, precise, and reliable, **SmartLase®** laser printers provide the complete and customizable solution for coding and marking on medium to high-speed production lines with the efficiency, versatility, and performance you expect from **Markem-Imaje®**.

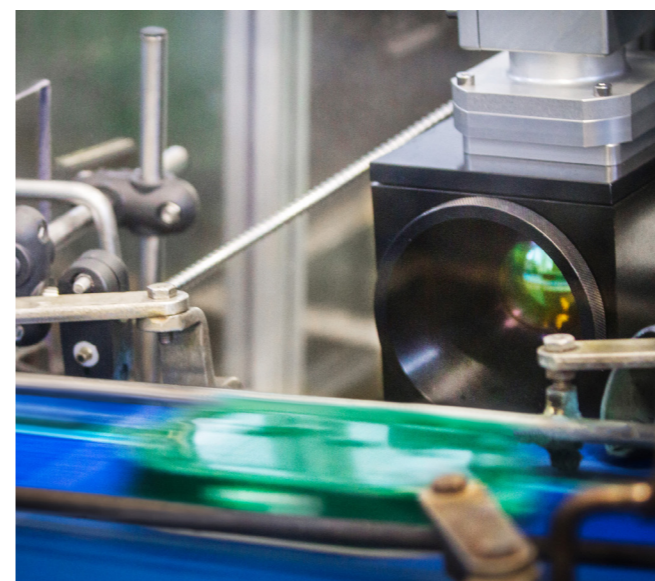
Your benefits

- High-quality, permanent, compliant coding—**faster**.
- Less downtime, increased efficiency—our lasers are proven reliable and virtually maintenance-free which improves your OEE and minimizes lines stoppages.
- Improve OPEX and sustainability goals with no consumables.
- User-friendly flexible solution to meet your specific application needs.



High-quality, permanent codes

- **Intelligent innovation.** **Intelli'Arc®**, Markem-Imaje's patented scribing technology, ensures high-quality codes printed faster than other 30-watt laser printers. Our **Intelli'Cool®** system senses and adjusts cooling to maintain peak laser performance even in the harshest production environments.
- **30% faster* with Intelli'Arc®.** Print smooth and crisp high-quality codes 30% faster than most competitor's lasers and **SmartLase®** C series lasers achieve speeds **up to 2,100* characters/second and 150,000* products/hour** with less stress on the laser source.
- **100% compliant, permanent, traceable.** Laser codes are permanent and resistant to rubbing, scratching and humidity which ensures traceability and compliance you can count on. High-quality, permanent codes support anti-counterfeiting through the entire product life cycle from the production line to the consumer.



Lower TCO, sustainable solution

- **No consumables.** Since there are no consumables with laser printers there is an immediate and significant impact on your operating expenses (OpEx). **SmartLase®** laser printing technology uses less energy, long-life extraction filters and requires no plant air. This all adds up to extended maintenance intervals and lower operating costs.
- **Increase efficiency, reduce maintenance.** Since lasers are **virtually maintenance-free**; you will benefit from fewer line stoppages improving your production line's Overall Equipment Effectiveness (OEE), and will minimize loss due to downtime.
- **Clean, green and sustainable.** Laser printers support your sustainability goals by eliminating inks and related chemicals for a truly eco-friendly coding solution.



Proven reliability, flexible and user-friendly design

- **30% longer life* and 60,000 hours mean time between failure (MTBF).** Available in both IP55 and IP65 ingress protection levels, the **SmartLase®** C350 laser printer is designed for reliable operation even in dusty and humid environments. And with **Intelli'Cool®** technology you can expect optimal performance even with high speed and high throughput operation in a wide ambient temperature range (5°C to 45°C), without any adverse impact to laser source lifespan.
- **Customized modularity.** Choose among 26 lenses to cover print areas from 55 x 55mm to 500 x 500mm, 3 wavelength options: **9.3, 10.2 or 10.6µm**, and 3 scanhead choices: standard (available BOU - beam orientation unit), HD and HD+ and other accessories to fit virtually any possible application.
- **Easy but powerful operation and connectivity.** Complex messages and automatic updates can be set up from the intuitive WYSIWYG 180mm (7 in.) touch screen user interface, web interface or the **CoLOS®** software suite, enabling plant-wide multiple printer management and automatic code update driven by your MES.

*Variable based on specific application requirements and substrates