

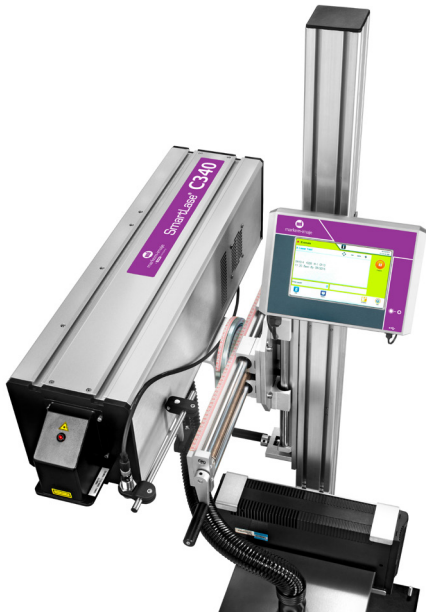


markem·imaje

a DOVER company



## 30-watt CO<sub>2</sub> laser coder **SmartLase® C340**



### All-in-one laser coding solution

The **SmartLase® C340** is a complete cost-effective, laser coding solution that is suitable for basic packaging applications in the food, beverage and other industries. This all-in-one industrial laser coding solution delivers consistently high quality codes with fast and easy line change-overs.

### Your benefits

- Ready to print in one convenient unit. An affordable all-in-one design, the **SmartLase® C340** can be ordered complete with a dedicated fume extractor and package sensor mounted on an adjustable stand with a rolling caster base.
- Greater flexibility and uptime. The **SmartLase® C340** offers you the flexibility to move from one conveyor to the next in less than 15 minutes with convenient adjustable stand and caster base. Also, there is no need to stop production to adjust or fine-tune contrast and code position, which means less downtime.
- Powerful enough to handle most coding and marking applications. **SmartLase® C340** is capable of meeting all your basic package coding needs with 30 Watt, 10.6 μ wavelength laser and choice of 3 lenses from 70 mm x 70 mm to 120 mm x 120 mm.

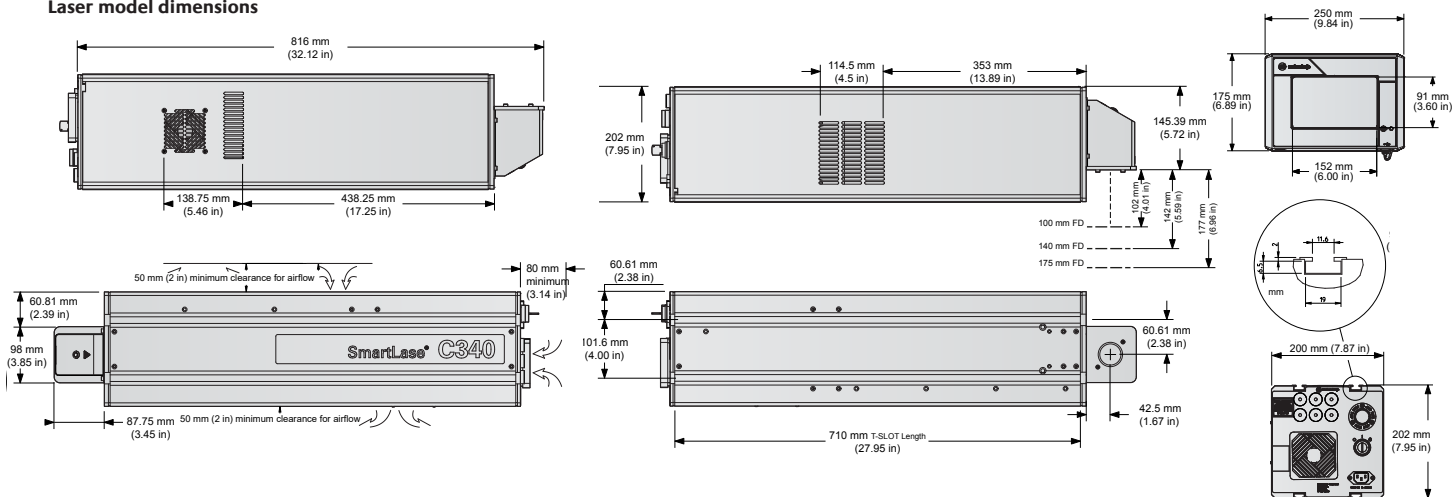
## Product features

### Robust and simple

- Durable design. Reliable IP44 design (no plastic parts). Resists > 1 mm particles and water spray. Prints in environments up to 45 °C.
- Minimize operator errors. Intuitive and simple user interface options: choose 7" WYSIWYG touch screen or quick and convenient web-based UI for remote access from a laptop or desktop PC.
- High quality codes. Patented "**SmartLase Code® Technology**", with **Intelli'Arc®**, providing superior quality codes on a wide variety of substrates including difficult to code laminate coated materials, at a rate of up to 125 meters per minute.
- Trusted technology. Leveraging the same "**SmartLase® Code Technology**" that is embedded into all our **SmartLase®** models, the **SmartLase® C340** ensures that the user experience is easy and straightforward. Utilizing patented algorithms and unique fonts allows for perfect lines and smooth curves, producing high quality codes at faster line speeds.

# SmartLase® C340 Specifications

## Laser model dimensions



## SmartLase C340 30 W sealed CO<sub>2</sub>

<b>Production line speed (max.)</b>	125 m/min.*
<b>Marking speed (max.)</b>	900 characters/s
<b>Print features</b>	<ul style="list-style-type: none"> <li>• Number of text lines: limited only by character height and allowable print area</li> <li>• Character height: from 1 to 120 mm</li> <li>• Choice of characters: Chinese, Latin and Unicode fonts</li> <li>• Wide selection of languages: Arabic, Bosnian, Brazilian Portuguese, Bulgarian, Chinese, Croatian, Czech, Danish, Dutch, English, Finnish, French, German, Greek, Hungarian, Italian, Japanese, Korean, Polish, Romanian, Russian, Serbian, Slovenian, Spanish, Swedish, Turkish</li> </ul>
<b>Standard coding area and focal distance (mm)</b>	• Lens 100 x 100 / fd 140
<b>Operations</b>	<ul style="list-style-type: none"> <li>• Web or optional user Interface 7" WYSIWYG color touch screen, QWERTY or AZERTY virtual keyboard, navigation via icons including on-line help file</li> <li>• Message storage capacity of 500 jobs</li> <li>• Upload and download jobs and settings via USB Flash Drive</li> <li>• Standard I/O: Ethernet interface, USB, encoder, sensor, extractor controls, optional Markem-Imaje alarm tower, remote interlocks (dual channels)</li> </ul>
<b>Other characteristics</b>	<ul style="list-style-type: none"> <li>• Printhead weight: 21.4 kg</li> <li>• Printhead: anodized aluminum</li> <li>• Dust/Humidity protection: IP44</li> <li>• Operating temperature range: 5 to 45 °C - Humidity: 5 to 80% non-condensing</li> <li>• Electrical power supply: 100-240 V with automatic switching - Frequency: 50/60 Hz - Power consumption 7 A; 700 VA</li> </ul>
<b>Options</b>	<ul style="list-style-type: none"> <li>• All-in-one Stand includes: Mast with X &amp; Y adjustments, footplate with casters, printhead bracket mount, user interface support mount, mounting bracket, cable clip, package sensor and sensor mount</li> <li>• ES100 dust and fume extractor</li> <li>• Coding area and focal distance (mm): Lens 70 x 70 / fd 100 – Lens 100 x 100 / fd 140 – Lens 120 x 120 / fd 175</li> <li>• Remote user interface</li> </ul>
<b>Accessories</b>	• Guarding tunnel, photocell package sensor, encoder, alarm beacon
<b>PC software</b>	• Web user interface provided as standard

\* Depends on the size and complexity of the message as well as the nature of the surface marked



We reserve the right to amend the design and/or specifications of our products without notice.  
© 2026 Markem-Imaje, a Dover Company. MARKEM-IMAJE and the MI MARKEM-IMAJE Logo, CoLOS and SMARTLASE are registered trademarks of Dover Europe Sàrl in the United States, the European Union and various other countries.  
Photos: Al Karevy Photography Ltd, - D1 A53433



9, rue Gaspard Monge - B.P. 110  
26501 Bourg-lès-Valence Cedex France  
+33 (0) 4 75 75 55 00  
[markem-imaje.com](http://markem-imaje.com)