

Touch Dry® High Resolution Inkjet Coders

5000 Series high resolution inkjet coders are designed to rapidly fill and jet Touch Dry® hot melt inks which are solvent-free, safe to handle and environmentally friendly. Codes never bleed or fade, dry on contact and are 100% readable. **Intelli'Wax** printheads combined with our exclusive **Intelli'Dark** Touch Dry ink produce the darkest, consistently scannable, direct print codes in the industry.

Improved productivity

- **Less Downtime**
The 5000 Series with **Intelli'Wax** printheads improves productivity by enabling operators to replenish ink without stopping the production line.
- **Designed for efficiency**
Markem-Imaje ink bottles are 75% larger than most liquid inks reducing operator intervention by over 40%.
- **Less operator intervention**
Our solventless, ink and autopurge technology reduce operator maintenance.



Code with compact printheads, with central reservoir that holds three 875 ml bottles of ink

Enhanced performance

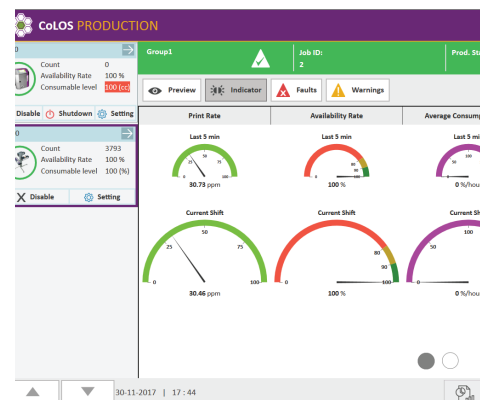
- **GS1-128 codes**
Improve direct print images on corrugate with **Intelli'Dark** for higher contrast barcodes with improved scannability. Markem-Imaje offers the highest optical density ink to achieve C-grade GS1-128 barcodes.
- **Patented Touch Dry® hot melt inks**
Print on a wide range of substrates and in environments ranging from 0 to 40 °C, a much wider range of inks than competitive printers.
- **High quality codes faster**
Large drop volume at high frequency provides reliable printing at speeds up to 121 meters/minute (barcodes).



Lower your total cost of ownership, TCO, while achieving GS1-128 compliant barcodes

Increased flexibility

- **Easier line integration**
Multiple jetting orientations; single side, opposite side, and top printing and up to 90° tilt angle for side printing with vertical direction of travel.
- **Equipped for your application**
Product configuration options include scanners, cameras, encoders, printhead slide assemblies, and stands.
- **Connect to your ERP**
With CoLOS® software the 5200 or 5400 can be integrated with production lines, databases, or ERP systems to automatically populate image designs.



Manage and monitor your entire printing operation via a single CoLOS dashboard

5200/5400 - Specifications

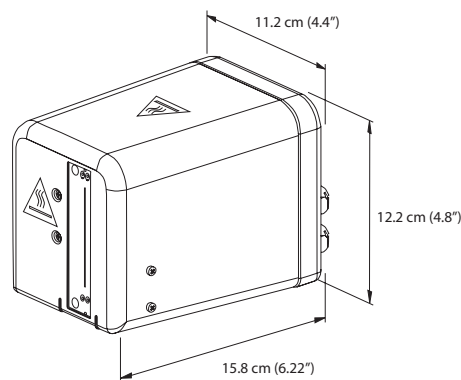
Print features

- Printhead dpi
 - Vertical dpi: 200
 - Addressable jets: 256
 - Nozzles: 512

Print Density	DPI - Ink Drops per Inch	Typical Speed (m/min)	Maximum Speed* (m/min)
1	150 x 200	121.9	182
2	300 x 200	61	91
3	450 x 200	40.6	61
4	600 x 200	30.5	45
5	750 x 200	24.4	36

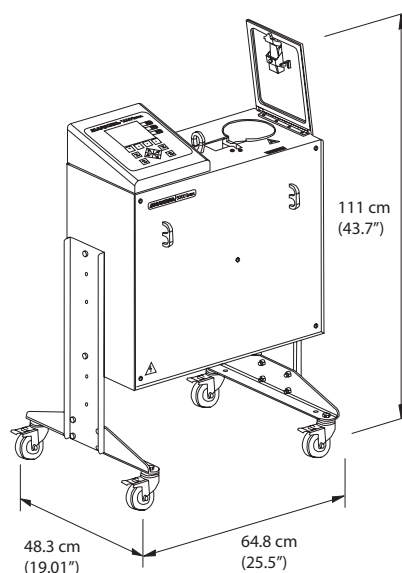
- Print densities available: 1 to 10
- Encoder scaling: Allows for conveyor line speed matching and for higher print speeds with a reduction in the print resolution
- Slant mode: Increases printhead vertical dpi from 200 to 282 with a maximum image height of 46 mm
- Print area: Maximum/printhead print height: 65 mm Print length: 1,200 mm
- Print specification:
 - Latin characters: Dutch, OCR-B, and Swiss fonts
 - Arabic characters
 - Hebrew characters
- Printing of real time clock (hr/min/sec), dates and auto updating best before dates and serial numbers
- Barcodes (Linear): ITF, Code 39, Code 128, EAN 128, EAN 8, EAN 13, UPC A, UPC and RSS
- Barcodes (2D): Static Data Matrix, composite RSS and dynamic QR

*Maximum speed is application dependent



Operations

- 5200: Up to two printheads
5400: Up to four printheads
- User interface: Backlit graphics display keypad utilized for image selection, variable data entry, diagnostics and system setup.
- Selectable multi-language menus
- Image preview
- Access level password protection
- Three level of user messages: Information, warnings and errors
- Full system diagnostic menu
- Printhead orientations: Vertical, horizontal and down jetting
- Printhead daily care: Purging and test print capability
- Recommended software: CoLOS® image creation, database and networking software
- Encoder options: Internal: For fixed conveyor speed printing
External: For optimizing print quality and recommended for bar code printing
- Photo-edge sensors: Print (trigger) signal and a maximum of two/system
- Communications protocols: Ethernet, RS232 and RS485
- Hardware outputs: Fault relay (dry contact)
- Ink replenishment: User prompted when to add ink and can be added w/o interfering with the operation of the printer
- Interfaces: Hand held wedge product select scanner. Remote keyboard.



Other characteristics

- Weight: Printhead: 1.8 kg
5200 control box: 64 kg
5400 control box: 77 kg
- Touch Dry® hot melt inks available in various series, colors, bottles and ink blocks
- Printhead wipes: Support daily printhead care requirements
- Electrical and environmental:
5200: 115/200/208/230 V, 50-60 Hz
5400: T200/208/230 V, 50-60 Hz

Model	System	Measured operating power	Peak power during warm-up
5200	1 head	300 watts	1450 watts
5200	2 heads	500 watts	1450 watts
5400	1 head	300 watts	2530 watts
5400	2 heads	500 watts	2530 watts
5400	3 heads	550 watts	2530 watts
5400	4 heads	600 watts	2530 watts

- FCC Part 5 Subpart B, ICES 003; UL STD 62368-1; Certified to CSA STD C22.2 # 62368-1; ETL mark for USA, Canada; CE: EMC directive 2014/30/EU, Machinery directive 2006/42/EC
- Operating environment of 0° to 40° C (32° to 104° F). IP45 protection (cabinet only w/door closed). IP42 protection (printhead)
- Air: System generated
- Signal tower (beacon) assembly
- Manuals: Operator manual in local language with installation, setup and service guide in English only

Options

- Printhead Slide Assembly
- Stainless steel cabinet
- Post print bar code scanner assembly
- TU Look-up assembly
- Printer service kits
- Preventive maintenance kits and contracts
- Regional telephone technical and product support
- Web site technical and product support

We reserve the right to amend the design and/or specifications of our products without notice.
©2019 Markem-Imaje Corporation. All rights reserved

Markem-Imaje
Global Sales & Marketing Division
9, rue Gaspard Monge
B.P. 110
26501 Bourg-lès-Valence Cedex France
Tél. : +33 (0) 4 75 75 55 00
Fax : +33 (0) 4 75 82 98 10



To learn more, visit www.markem-imaje.com